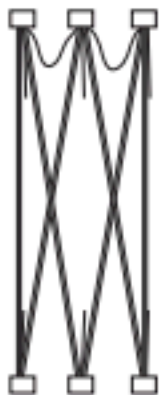
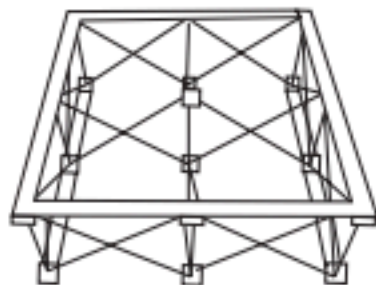


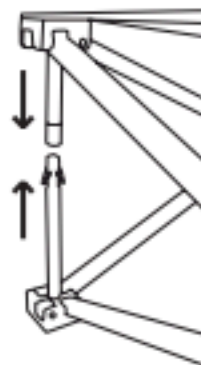
## HOPUP COUNTER ASSEMBLY



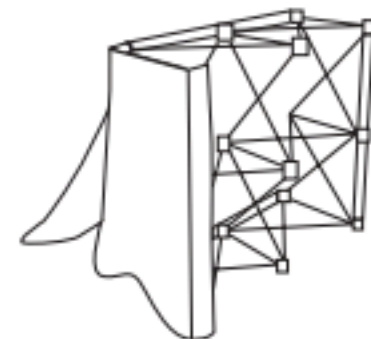
Remove unit from carry bag **1**



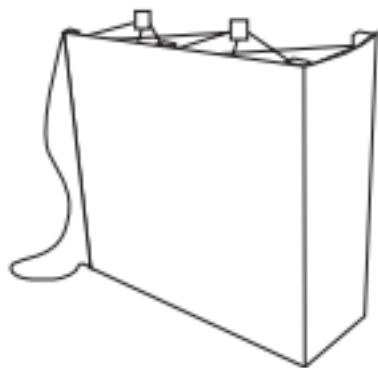
Lay flat and push down on non-carpeted surface **2**



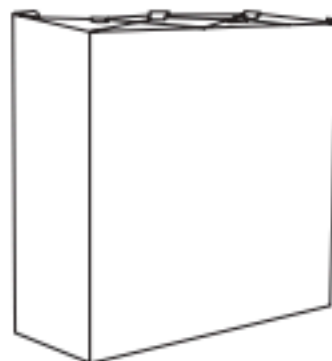
Snap all purple locking arms into place **3**



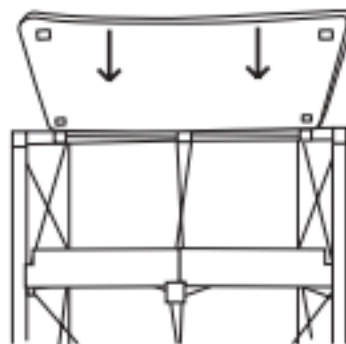
Graphic attaches to frame with Velcro. Start in one corner and move on to the next **4**



Continue around front of frame **5**



Graphic application is complete **6**



Place clear acrylic shelf in desired location and then place countertop on top of frame **7**



Unit is complete **8**